



WINDOWS SASH

Basic information



SASH

SASH windows are sliding windows that open up and down. Their design and appearance are reminiscent of classic English-style windows. We use modern technologies in woodworking, painting and glazing during production.

The **SB** (Spring Balance) model uses a spring mechanism to lift the sash.

*available installation depths
(frame/sash) : 48/140, 56/156 and 68/180 mm.

The **CW** (Cords & Weights) model is the most classic solution, using a weight mechanism to lift the sash.

*available installation depths
(frame/sash): 56/156 and 68/180 mm.

SB



CW



WINDOWS SASH

Basic information

CONSTRUCTION

Wooden frame made of glued laminated timber along the length and thickness from solid sawn timber.

Installation depth (sash / frame):

SB 48/140, 56/156, 68/180 [mm]

CW 56/156, 68/180 [mm]

MATERIAL



pine

meranti

oak

GLASS

Energy-saving double- or triple-glazed units (double-chamber) made of low-emissivity glass with an argon-filled inter-pane space.



OPTIONAL :

- safety glass: laminated VSG, tempered ESG
- soundproof
- solar control
- maximum glazing package thickness for 68 mm profile is 32mm

LAZURES



EQUIPMENT

STANDARD:

Hardware for top-down opening. Traditional, ergonomically shaped lock in polished chrome.

OPTIONAL:

- traditional lock with key
- SBD closing
- O-ring top sash release
- D-handle top sash release
- vent lock opening restrictor
- SASH opening restrictor
- muntins: inter-pane, glued on, vienna bars

HARDWARE COLOURS:



PAINTING

The joinery is painted with water-based, eco-friendly, transparent or opaque varnishes.

OPAQUE COLOURS according to the RAL or NCS palette
LAZURES highlight the wood structure.



* As standard, the colour inside and outside is identical.

brass

polished chrome

Sash lifters:



Closing:



traditional



traditional with key



traditional



traditional with key



SBD



SBD

Upper sash lowering:



O-ring



D-handle



O-ring



D-handle

Opening restrictor:



Vent lock



Sash restrictor



Vent lock



Sash restrictor

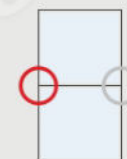
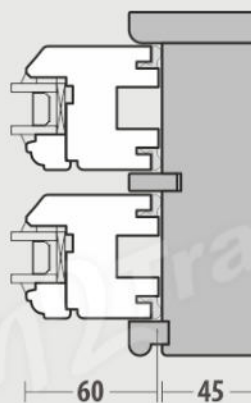
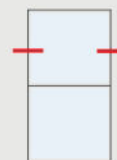
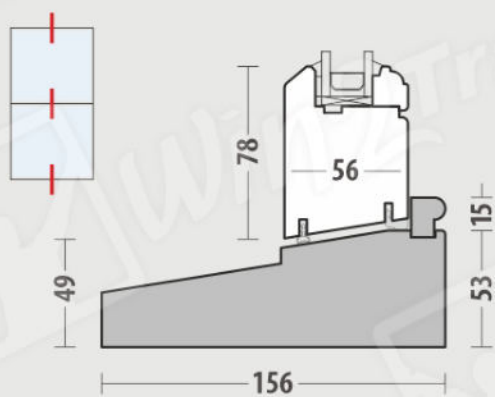
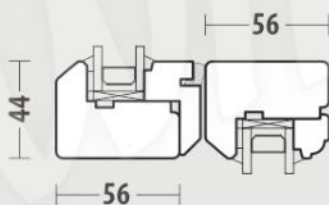
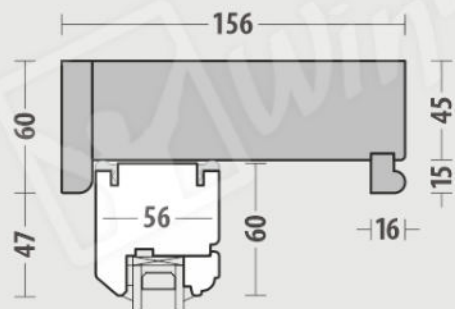
WINDOWS

Sash SB - 156

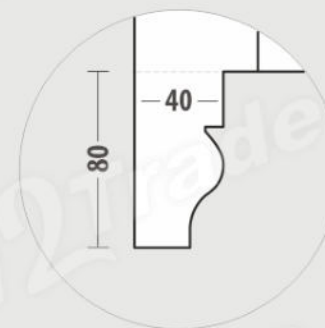
Basic cross-sections



Sash SB
INSTALLATION DEPTH - 156 mm



HORN
Sash finishing



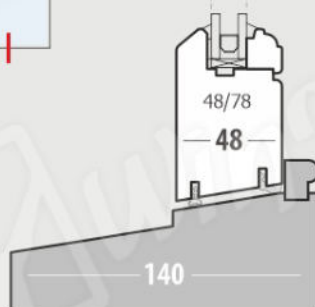
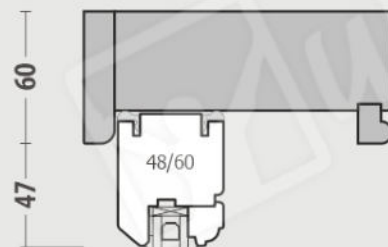
WINDOWS

Sash SB

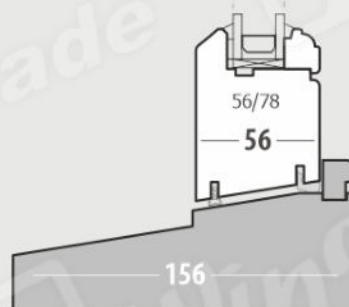
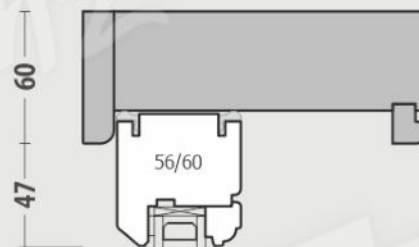
140 | 156 | 180 Installation depths



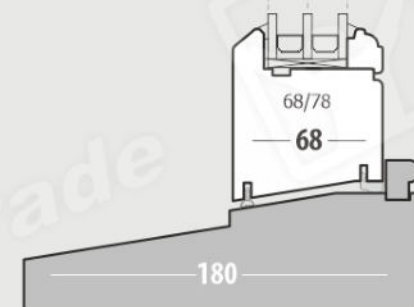
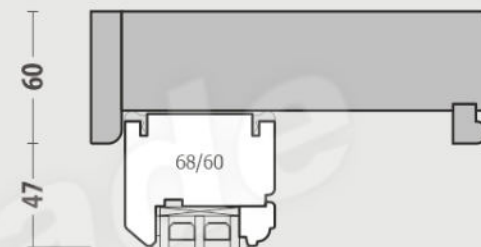
140



156



180



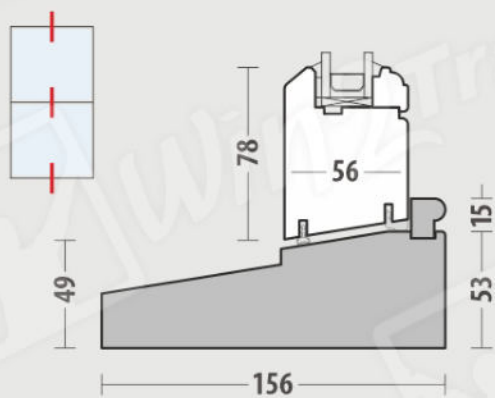
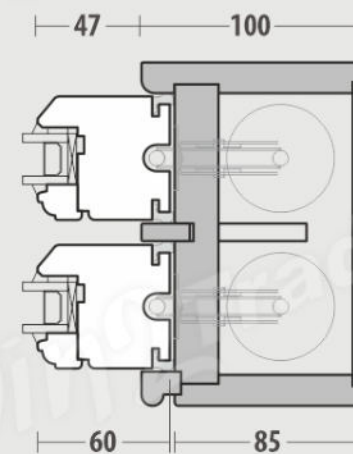
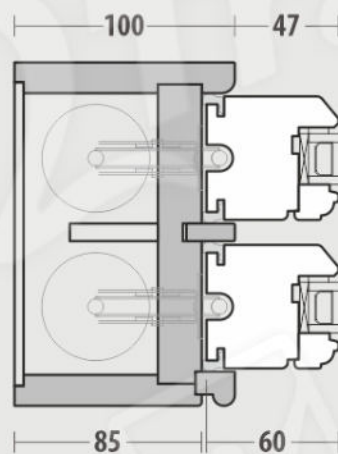
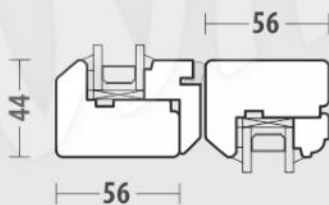
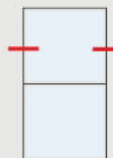
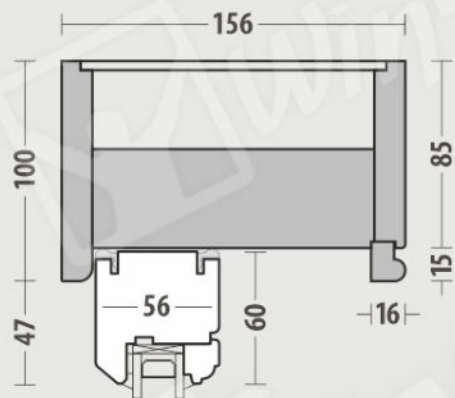
WINDOWS

Sash CW (Pulleys) -156

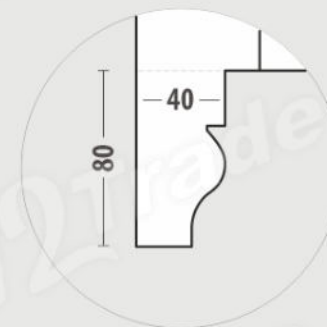
Basic cross-sections



Sash CW (Pulleys)
INSTALLATION DEPTH - 156 mm



HORN
Sash finishing



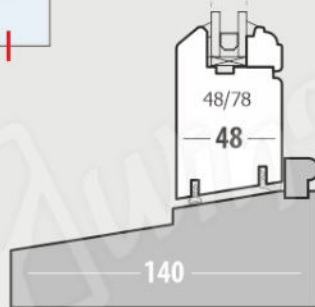
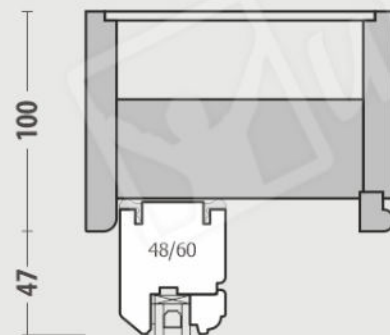
WINDOWS

Sash CW (Pulleys)

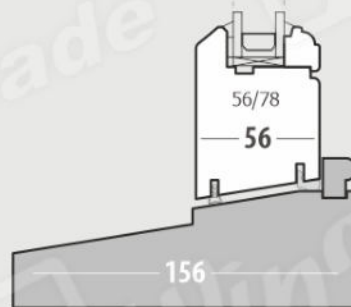
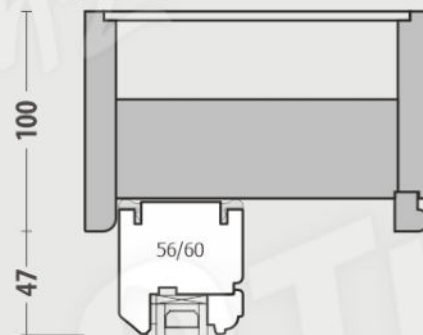
140 | 156 | 180 Installation depths



140



156



180

