



Exterior SHUTTERS

EXTERIOR SHUTTERS

Shutters are an eye-catching architectural detail. Besides their aesthetic value, they provide protection from the sun (additional insulation against heat), rain, wind, cold, and unwanted prying eyes.

Shutters also provide an additional protective barrier against burglary, making it difficult for unwanted people to enter the room.

Shutter sashes can have various finishes - fillings. The most common fillings are: flat, with application, with milling (planking effect), and fixed lamelas. Shutter sashes can also be mixed, for example, top with fixed lamelas/bottom with panel with application. It is also possible to make a sash without a frame - "Z".

Shutters can be mounted in various ways: to the wall, directly to the window frame, or to a special wooden band around the frame. The appropriate method depends on the individual circumstances of each window.



Finishing types – insert PANELS:



flat



with application



with milling



fixed lamelas

Option: Frameless sash



„Z” boarding

EXTERIOR SHUTTERS

Basic information

CONSTRUCTION

Wooden frame made of glued laminated timber along the length and thickness from solid sawn timber.

MATERIAL



pine

meranti

oak

FILLING

Insert panels:

1. Flat panel (9 mm plywood)
2. Panel with application (9 mm plywood + 9 mm application)
3. Panel with milling (18 mm plywood)
4. Fixed lamelas (45 mm wide)



1

2

3

4

LAZURES



EQUIPMENT

EXTERIOR FITTINGS:

1. Plain hinge
2. Hinge with vertical connector.
3. Hinge with strap connector
4. Hinge with corner
5. Corner

INTERIOR FITTINGS:

6. Top closure hook
7. Double-sash shutter closure
8. Bottom closure hook

OPTIONS:

9. Wind lock in the hinge



9

PAINTING

The joinery is painted with water-based, eco-friendly, transparent or opaque varnishes.

OPAQUE COLOURS according to the RAL or NCS palette
LAZURES highlight the wood structure.



* As standard, the colour inside and outside is identical.

Hardware visible from the outside of the shutter:



6

7

8

SHUTTERS **Fillings**

Insert panels

Fixed lamelas

Mixed fillings



1



2



3



4



1/4



2/4



3/4

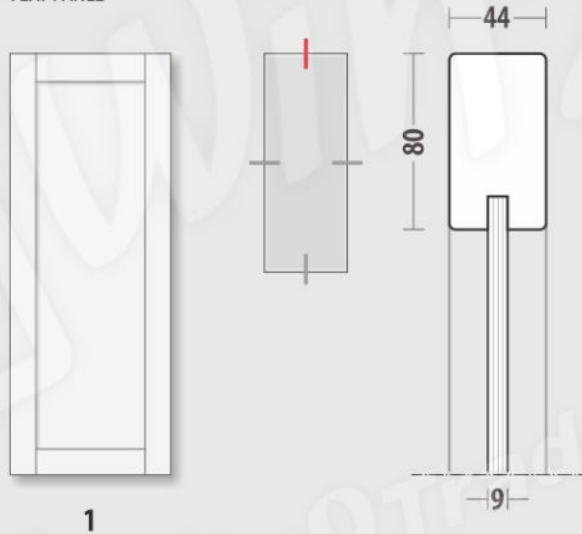


4/4

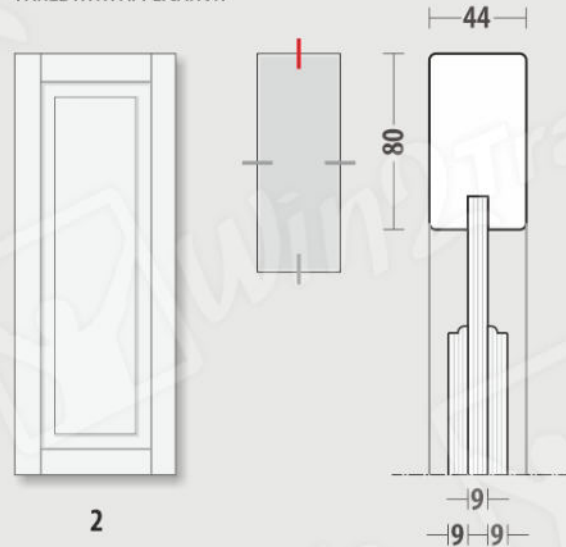
EXTERIOR SHUTTERS

Flat panel (1)
Panel with application (2)

FLAT PANEL



PANEL WITH APPLICATION



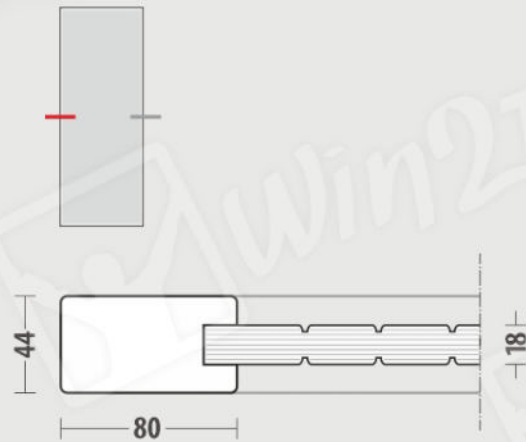
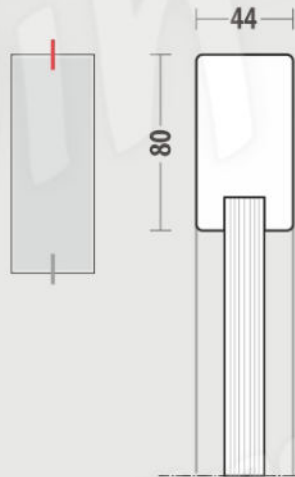
EXTERIOR SHUTTERS

Panel with milling (3)

PANEL WITH MILLING



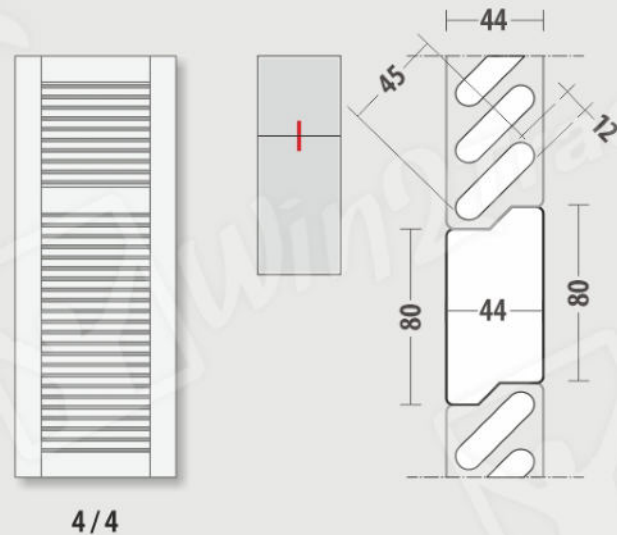
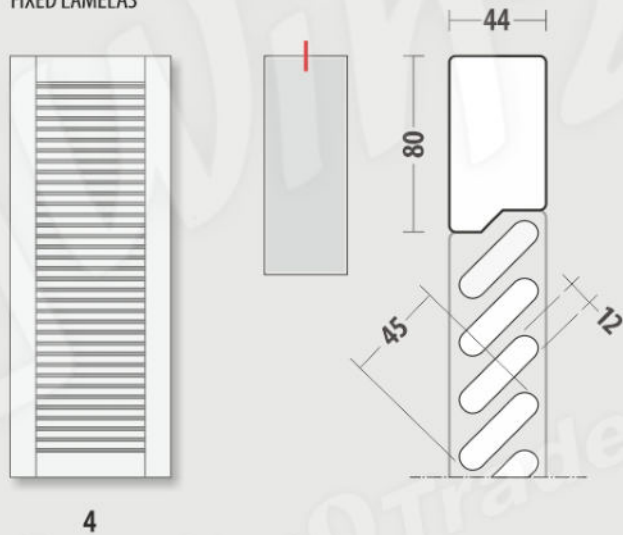
3



EXTERIOR SHUTTERS

Fixed lamelas (4)

FIXED LAMELAS





Opening system: **1-sash** shutter



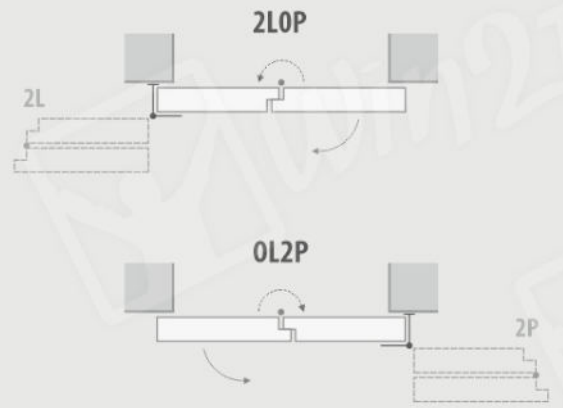


Opening system:
2-sashes shutter



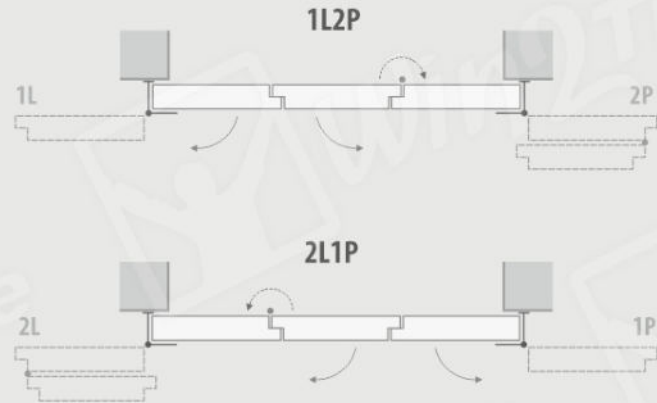


Opening system:
2-sashes shutter





Opening system: **3-sashes** shutter



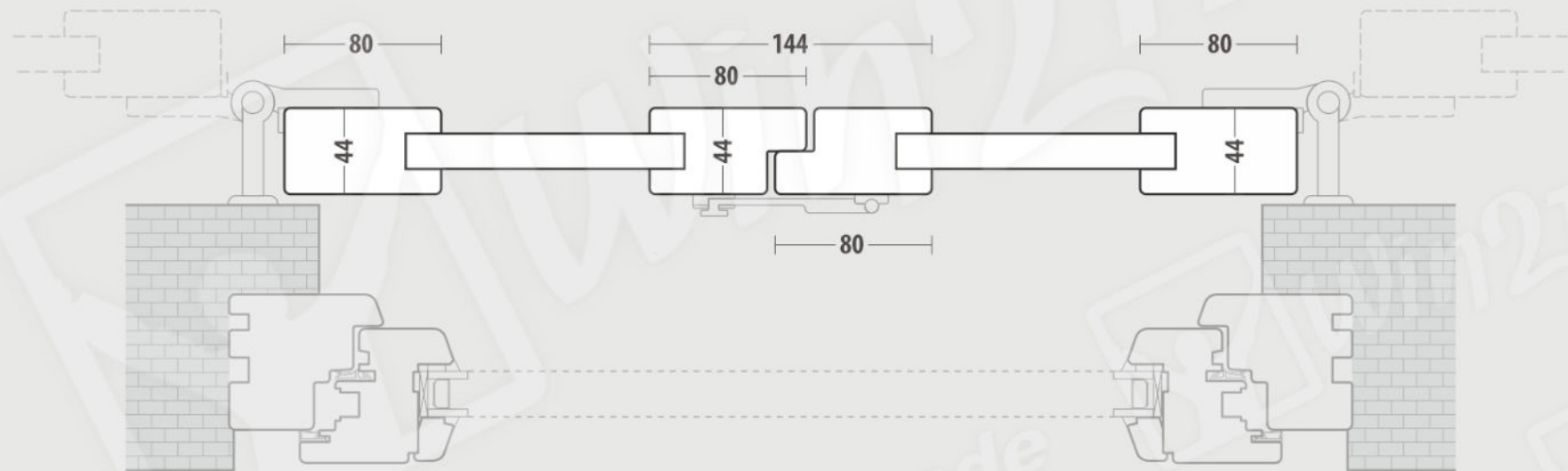


Opening system: **4-sashes** shutter



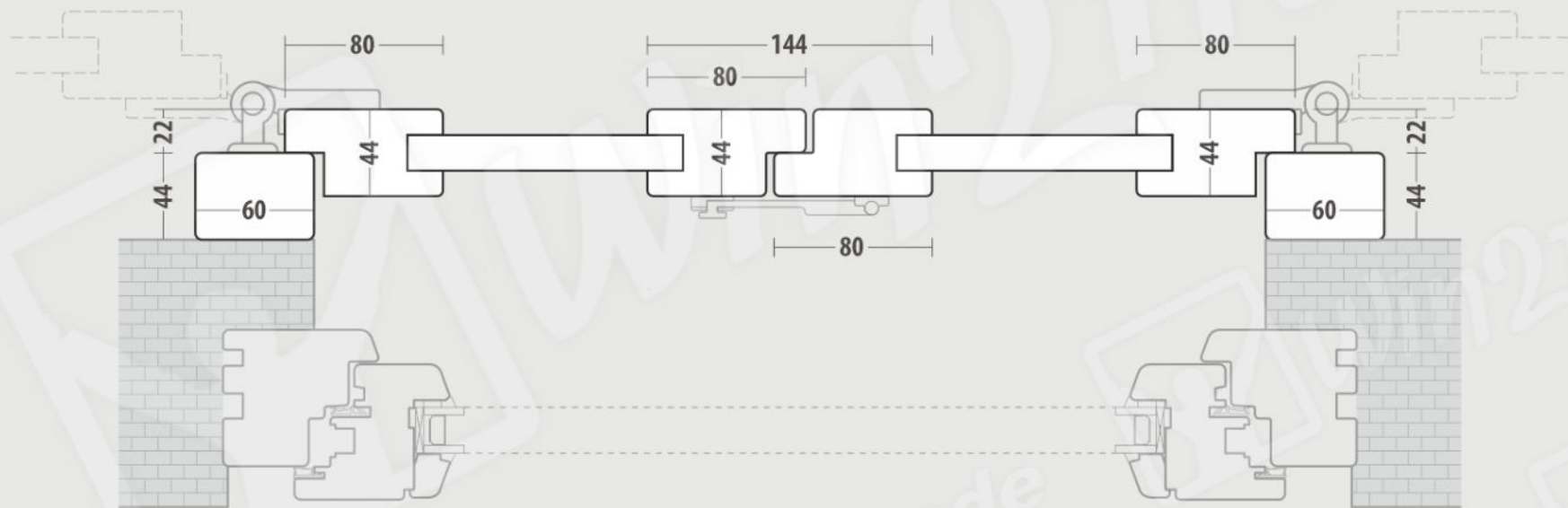
EXTERIOR SHUTTERS

[1] Mounting to the wall (facade)



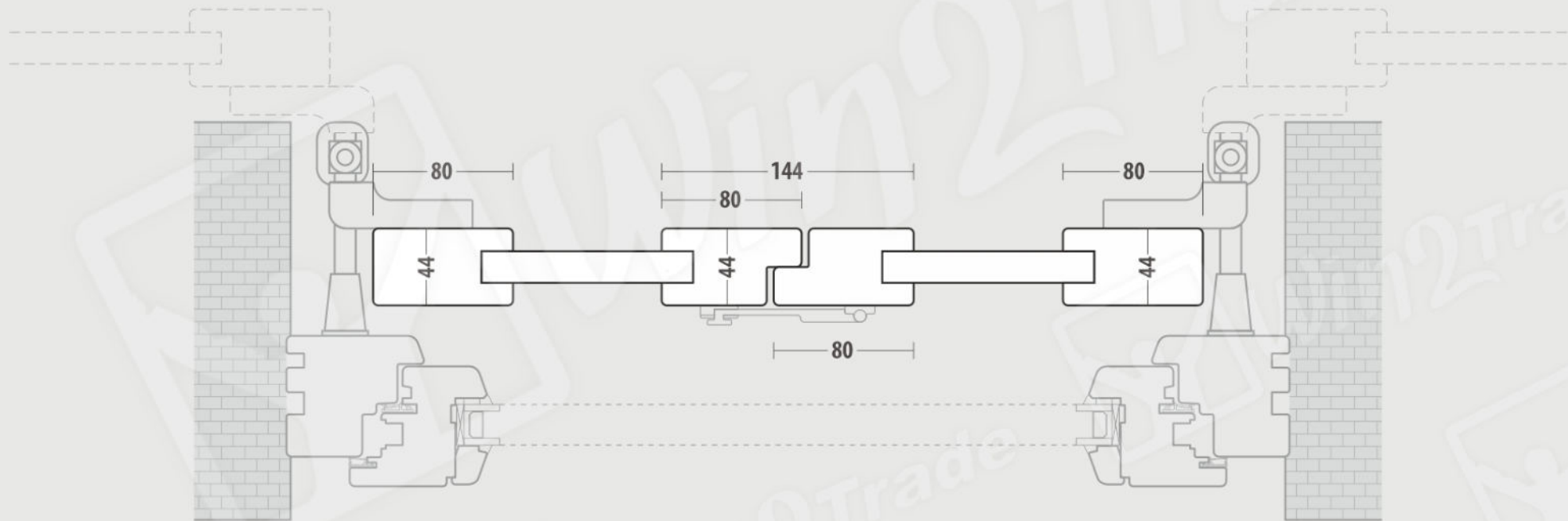
EXTERIOR SHUTTERS

[2] Mounting to the wooden frame (band)



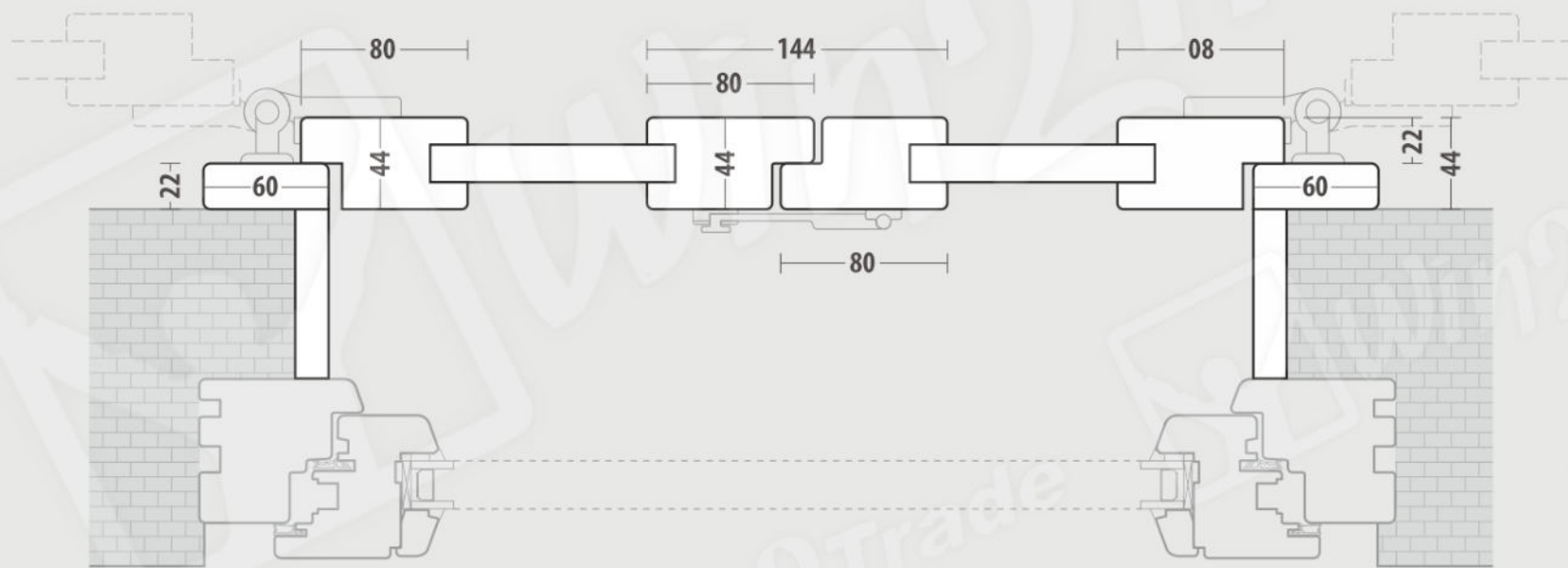
EXTERIOR SHUTTERS

[3] Mounting to the window frame



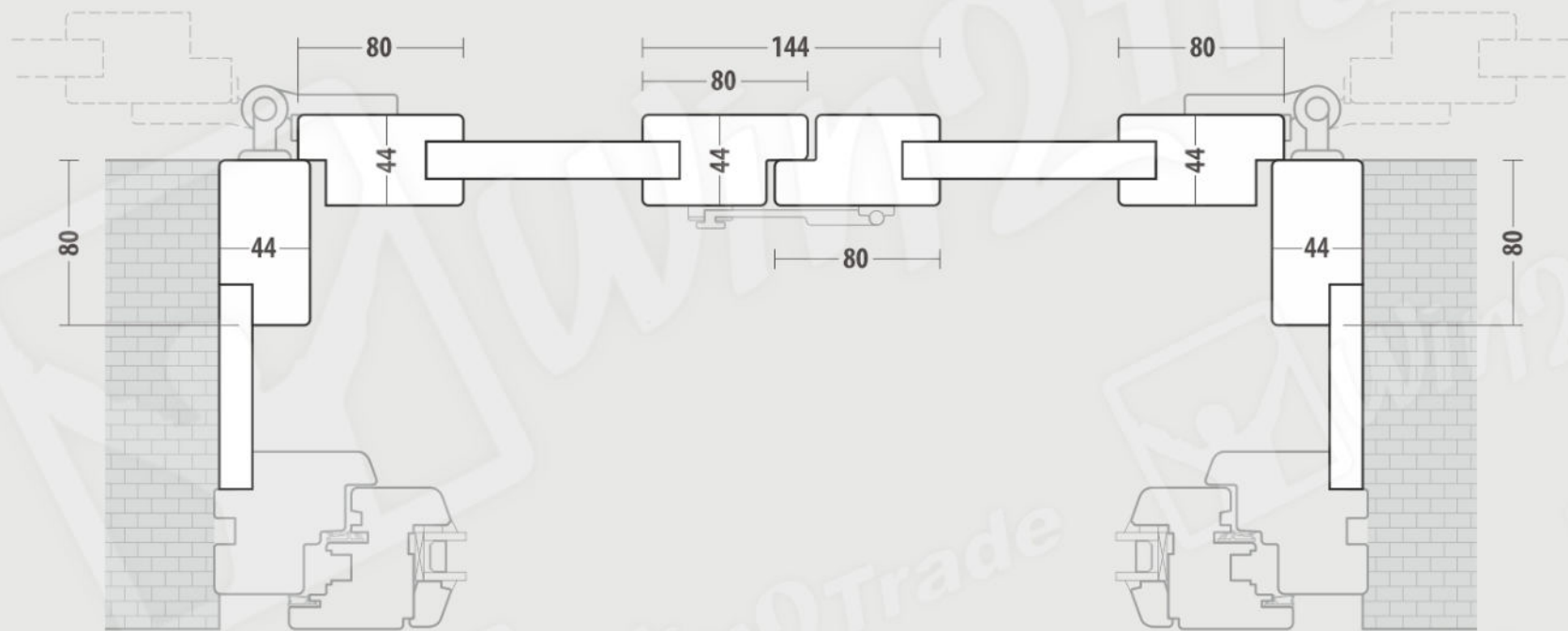
EXTERIOR SHUTTERS

[4a] Mounting to the wooden frame (band) with wall construction



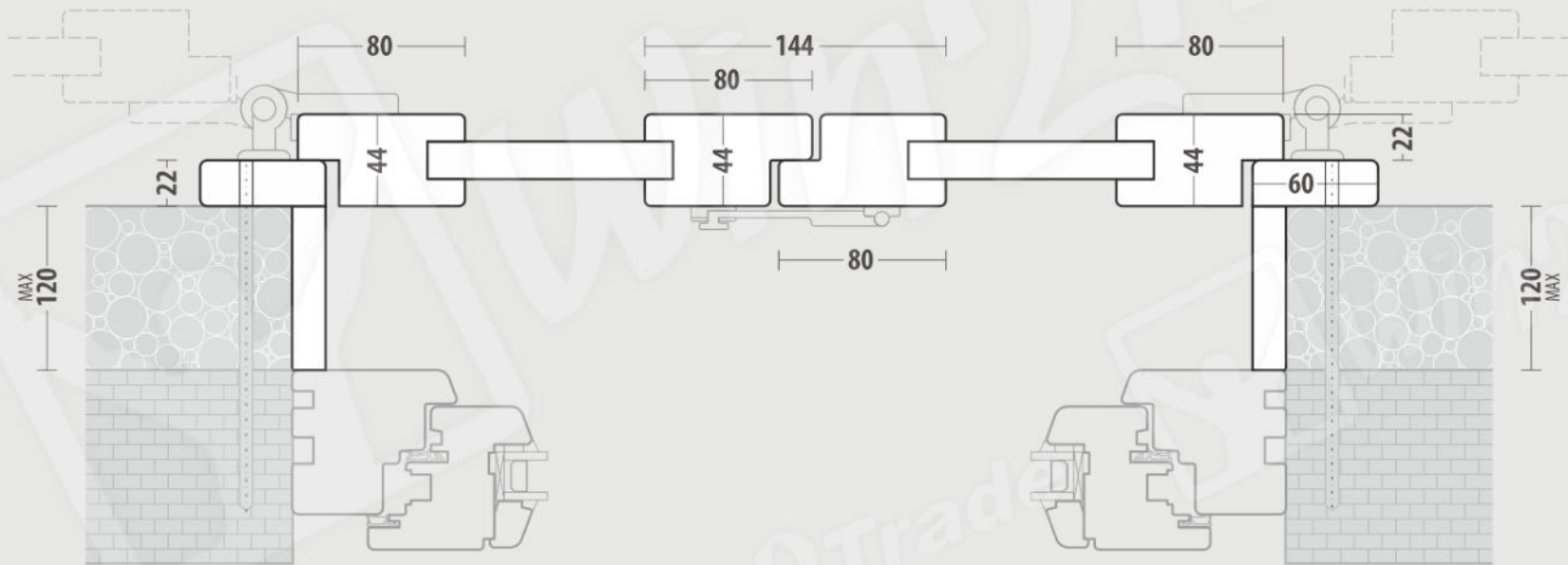
EXTERIOR SHUTTERS

[4b] Mounting to the wooden frame (band) with wall construction



EXTERIOR SHUTTERS

[5] Mounting to the wooden frame (band) through insulation (MAX – 120 mm) with wall construction



EXTERIOR SHUTTERS

[6] Mounting to the wooden spacer frame mounted on the window frame

