

Doors DP

The DP series are flat panel doors with installation depths of 68mm, 78mm and 92mm. The panels can be decoratively milled and enhanced with glazing. The panel doors have simple shapes that, depending on the finish, can be matched to the style of the building.

Types of glazing finishes:



DP-A



DP-B



DP-A



DP-B



DP-C



Thermal transmittance U_w
1,01 - 1,37 W/m²K



Sound insulation
(depending on the glazing unit used)
32 - 41 dB



Security / Burglary resistance
Rc1 - Rc2 class



Wind load resistance
C5 class

Doors DP

Basic information

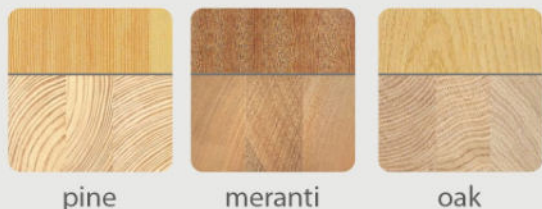
CONSTRUCTION

Wooden frame made of glued laminated timber along the length and thickness from solid sawn timber.

Flat sash with a frame structure, filled with insulating material inside. External cladding

Frame and sash installation depth: 68 mm (78 and 92 mm are also available)

MATERIAL



Sash FINISHING

- flat panel (smooth)
- panel with decorative milling
- panel with glazing
- panel with glazing and decorative milling

OPTIONAL :

- triple-glazing unit with 36mm thickness
- safety glass: laminated VSG, tempered ESG
- soundproof
- sun protection

LAZURES



EQUIPMENT

STANDARD:

HANDLES – the standard equipment of wooden doors includes good quality aluminum handles: handle-handle or handle-knob.

HINGES – adjustable in 3 planes. Hinges covers are in the colour of the handles.

BOLTS / LOCKS / INSERTS – a lock in the form of a 3-point automatic bolt, equipped with a class A insert with a set of 3 keys.

OPTIONAL:

- Class C insert
- insert with internal knob
- two inserts with the same key
- anti-burglary bolts on the hinge side



PAINTING

The joinery is painted with water-based, eco-friendly, transparent or opaque varnishes.

OPAQUE COLOURS according to the RAL or NCS palette
LAZURES highlight the wood structure.



* As standard, the colour inside and outside is identical.



INSERT (lock):

Standard both-sided



with knob

HINGES



DOORS DP-C / 68

Basic cross-sections



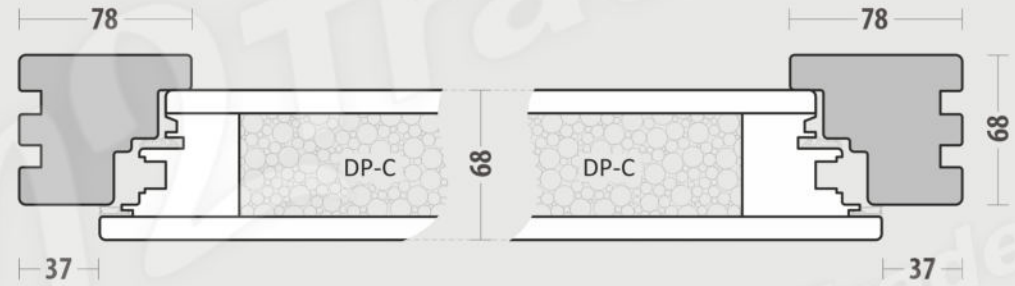
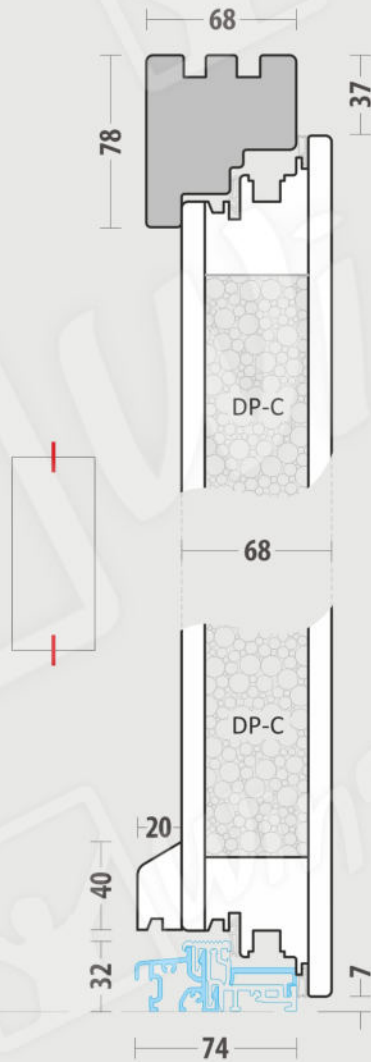
Door frame



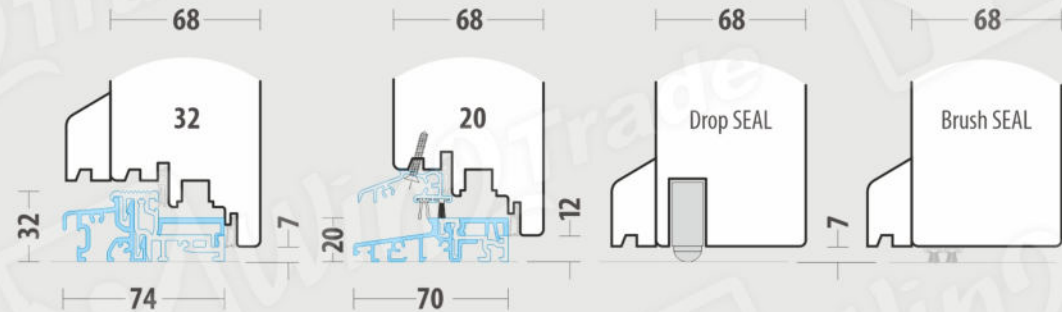
HTR

Softline

Retro



THRESHOLD OPTIONS



DOORS DP-B / 68

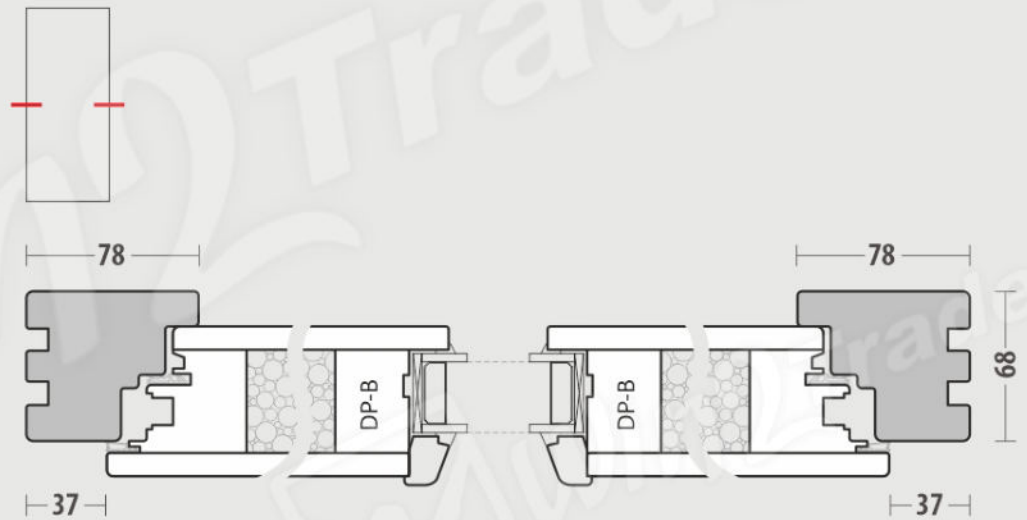
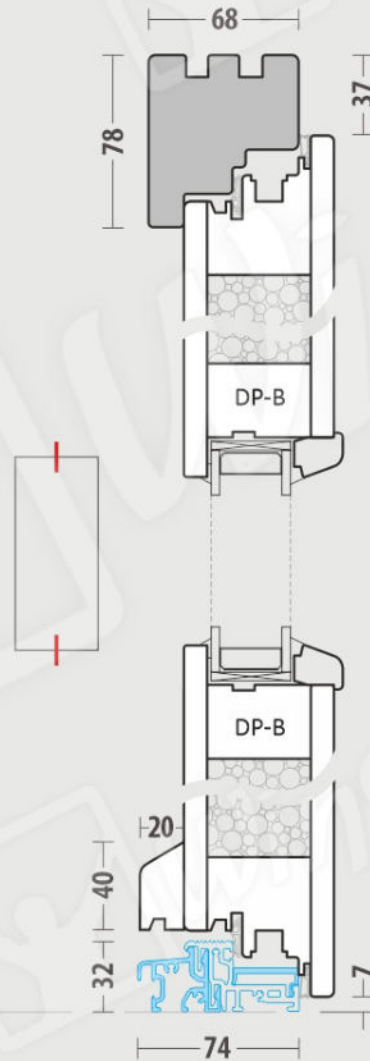
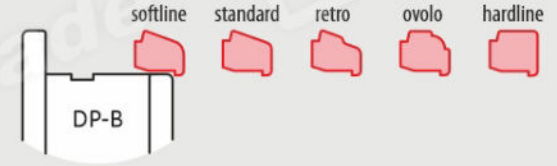
Basic cross-sections



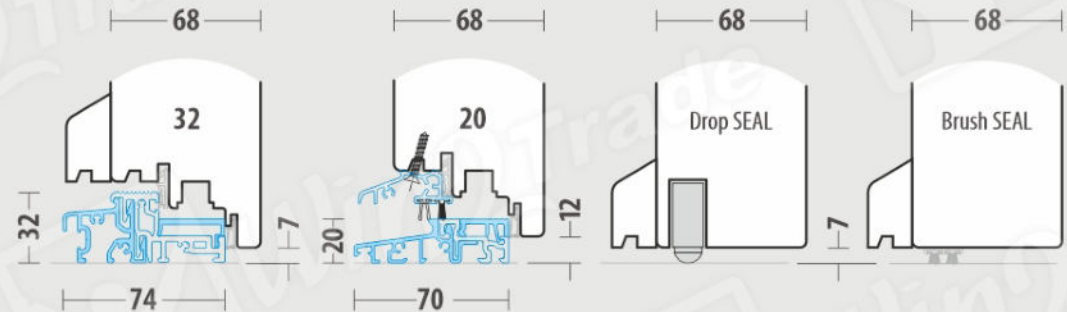
Door frame



OPTIONS - GLAZING BEAD:



THRESHOLD OPTIONS



DOORS DP-A / 68

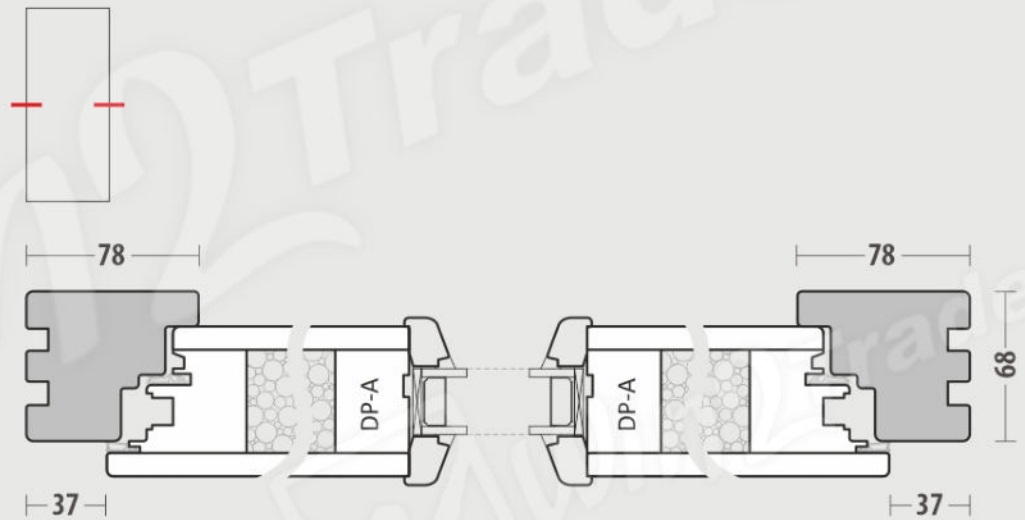
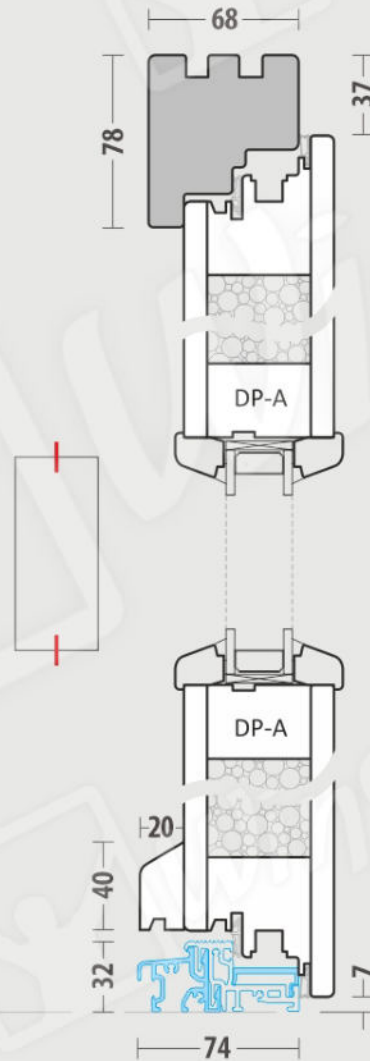
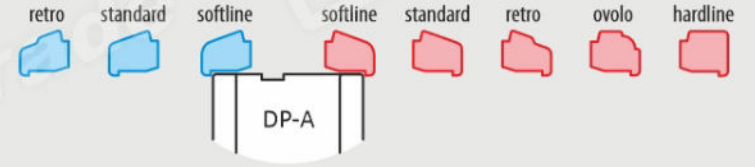
Basic cross-sections



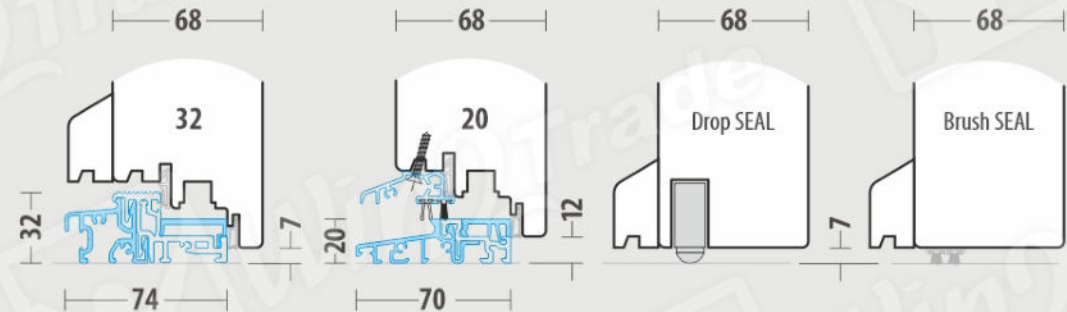
Door frame



OPTIONS - GLAZING BEAD:



THRESHOLD OPTIONS



DOORS

DP-C / DP-B / DP-A

Frame and sash installation depth



Door frame



HTR

Softline

Retro

OPTIONS
INSTALLATION DEPTHS

68

78

92

