



Doors DF

The DF series is a framed door with a distinctive decorative strip on both sides of the door sash securing the insert panel (filling) to the door structure.

A variety of door finishes – combining wooden insert panels with a glazing package in a single frame – gives DF doors a unique, individual character, perfectly suited to the interior and exterior of a specific building. The doors can open outwards or inwards.

TYPES:

- single-sash doors
- double-sash doors
- doors + fanlight

* installation depth:
68 mm, 78 mm and 92 mm.



Thermal transmittance U_w

1,01 - 1,37 W/m²K



Security / Burglary resistance

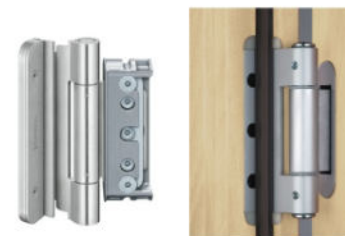
Rc1 - Rc2 class



Decorative finishing strip



Adjustable EASY 3D hinges



Sound insulation

(depending on the glazing unit used)
32 - 41 dB



Wind load resistance

C5 class

Doors DF

Basic information

CONSTRUCTION

Wooden frame made of glued laminated timber along the length and thickness from solid sawn timber.

Frame and sash installation depth: 68 mm
(78 and 92 mm are also available)

Sash profile - width 106 mm or 136 mm.

MATERIAL



pine

meranti

oak

FILLING

- flat insert panel
- flat insert panel with decorations
- double-glazed unit with 24 mm thickness

Filling thickness 24mm-36mm
(for a frame depth of 68 mm)

OPTIONAL :

- safety glass: laminated VSG, tempered ESG
- soundproof
- sun protection

LAZURES



EQUIPMENT

STANDARD:

HANDLES – the standard equipment of wooden doors includes good quality aluminum handles: handle-handle or handle-knob.

HINGES – adjustable in 3 planes. Hinges covers are in the colour of the handles.

BOLTS / LOCKS / INSERTS – a lock in the form of a 3-point automatic bolt, equipped with a class A insert with a set of 3 keys.

OPTIONAL:

- Class C insert
- insert with internal knob
- two inserts with the same key
- anti-burglary bolts on the hinge side



PAINTING

The joinery is painted with water-based, eco-friendly, transparent or opaque varnishes.

OPAQUE COLOURS according to the RAL or NCS palette
LAZURES highlight the wood structure.



* As standard, the colour inside and outside is identical.



INSERT (lock):

Standard both-sided



with knob

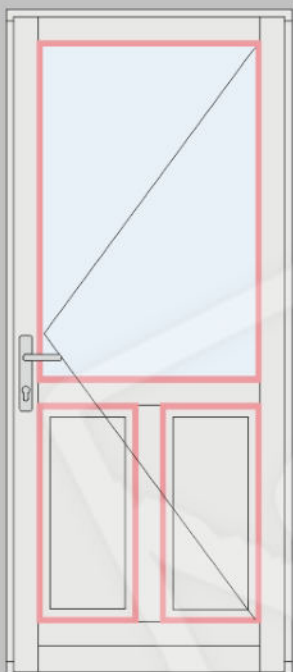
HINGES



white brown black old gold chrom mat

Doors DF

Basic cross-sections

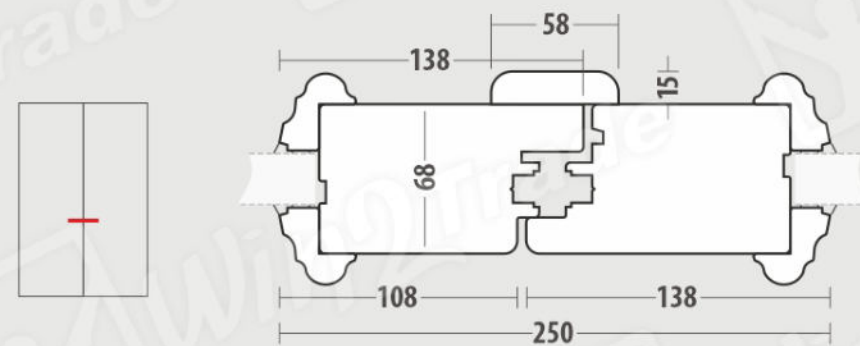
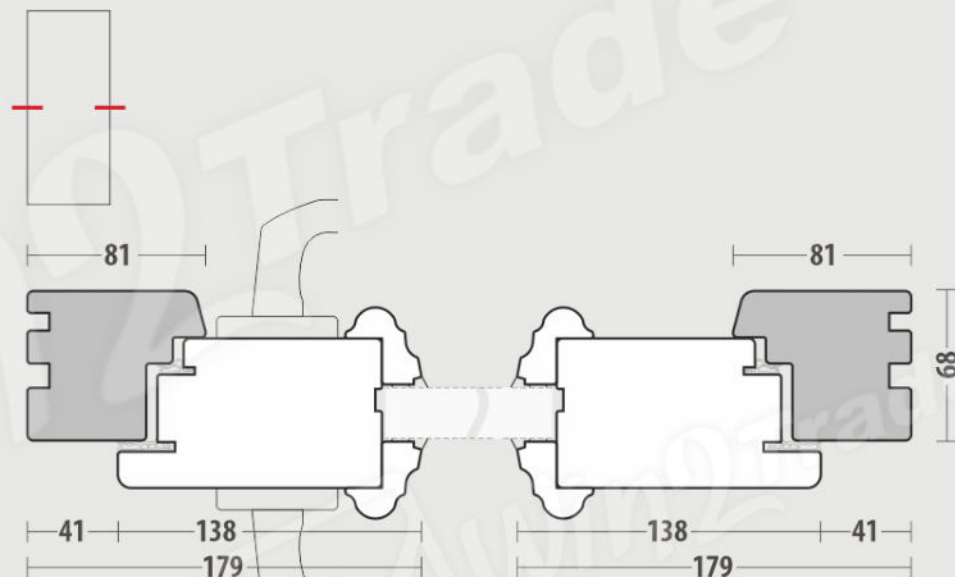
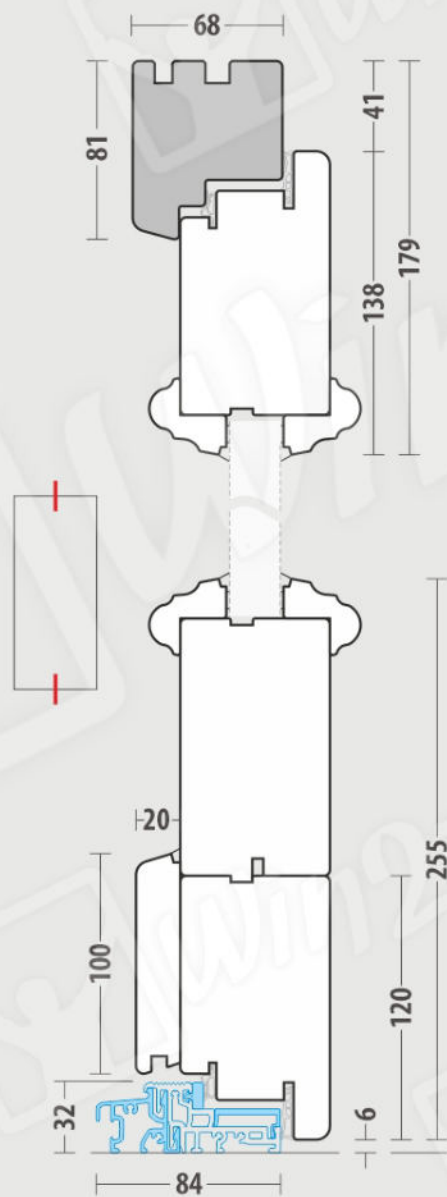


www.win2trade.eu

frame



Sash - Decorative strip
filling retaining



OPTIONS

Filling DF 68

(Sample fillings)

Glazing packages



Insert panels

